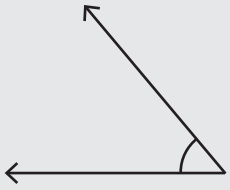


Types of Angles


Guess the measure of the angles marked and choose the correct option. Also write the type of angle.



(i) 90° (ii) 50° ✓

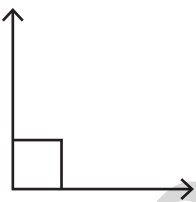
Acute angle

a)




(i) 170° (ii) 230°

b)




(i) 180° (ii) 90°

c)



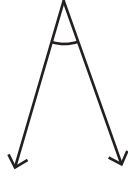
(i) 180° (ii) 200°

d)




(i) 182° (ii) 170°

e)




(i) 35° (ii) 75°

f)



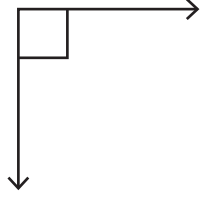
(i) 100° (ii) 175°

g)



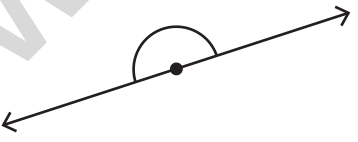
(i) 200° (ii) 170°

h)



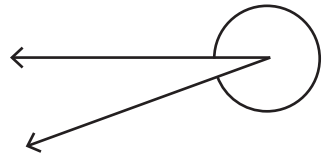
(i) 80° (ii) 90°

i)



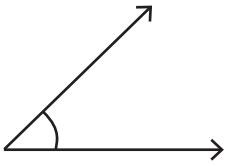
(i) 190° (ii) 180°

j)



(i) 200° (ii) 340°

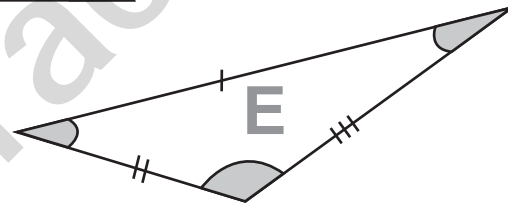
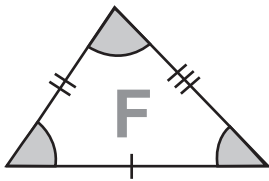
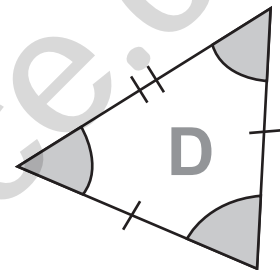
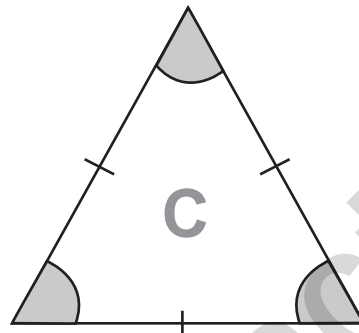
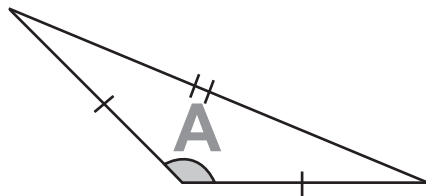
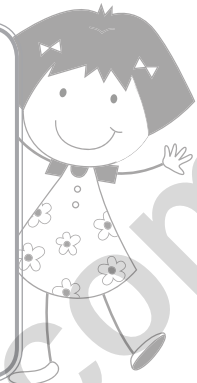
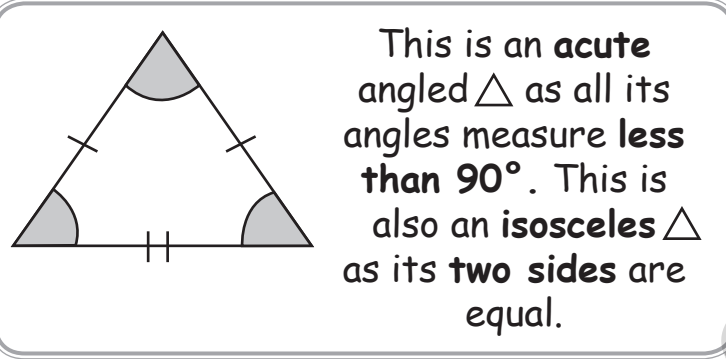
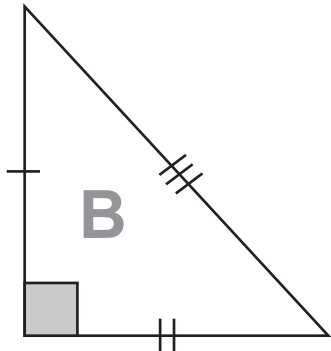
k)



(i) 80° (ii) 45°

Types of Triangles

Observe the triangles carefully and answer the following.



Name the triangle which is acute angled as well as isosceles.

 D

a) Name the triangle which is right angled triangle as well as scalene.

b) Name the triangle which is scalene as well as acute angled.

c) Name the triangle which is obtuse angled as well as isosceles.

d) Name the triangle which is obtuse angled as well as scalene.

e) Name the triangle which is equilateral.