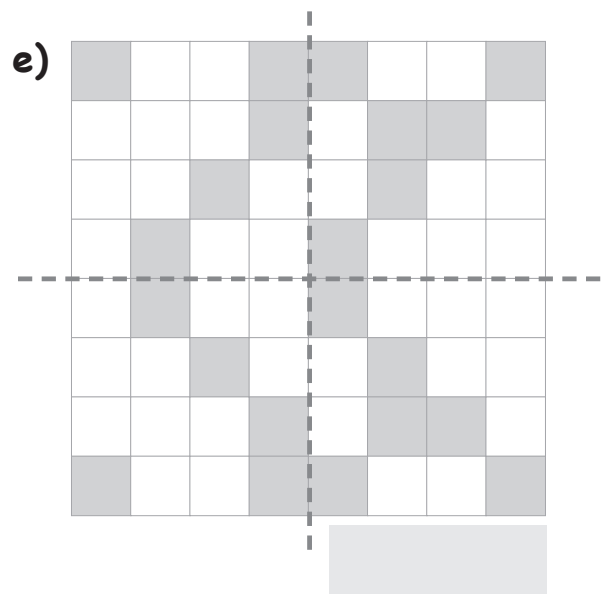
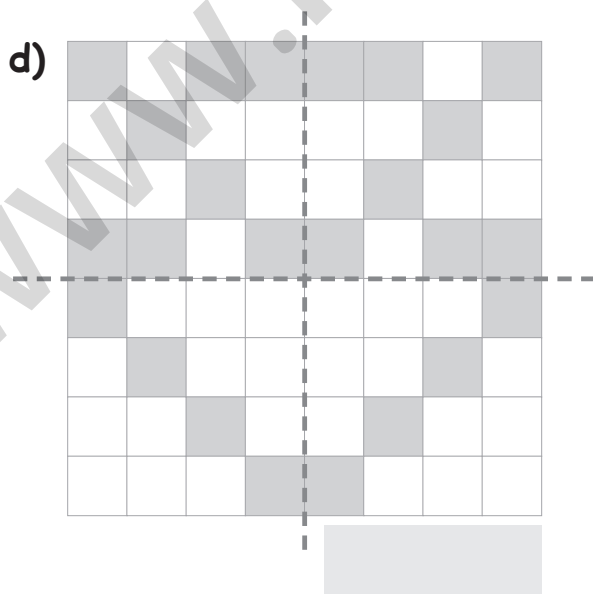
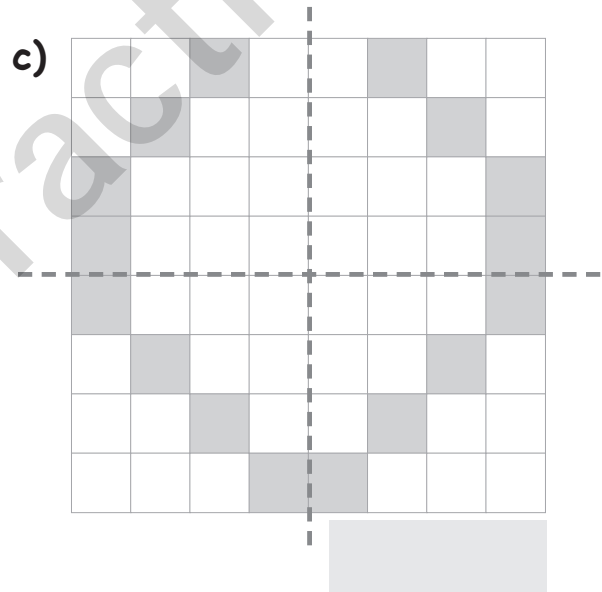
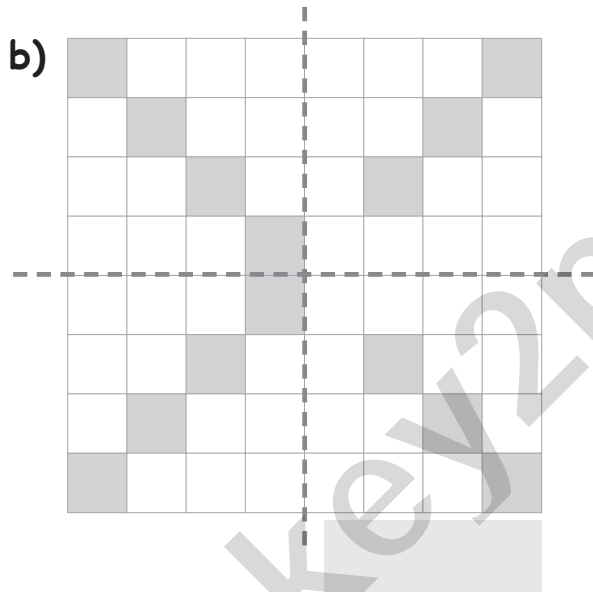
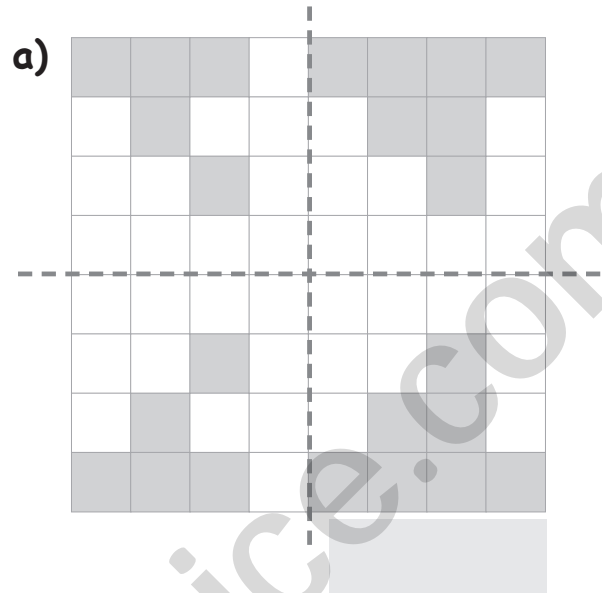
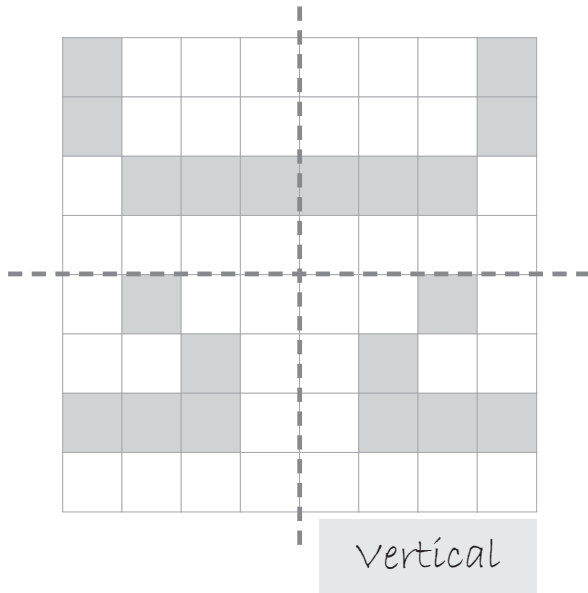


Lines of Symmetry

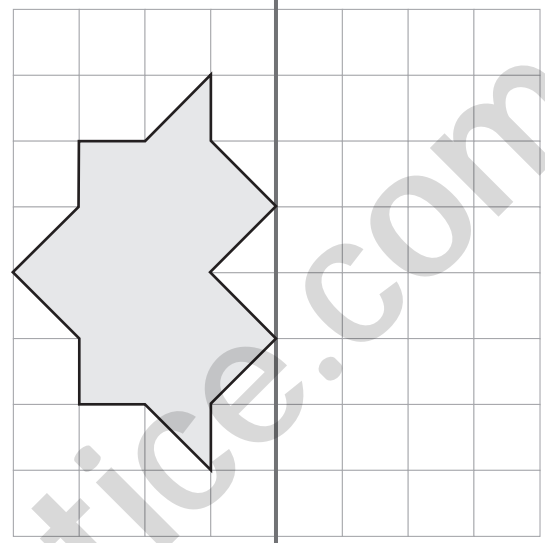
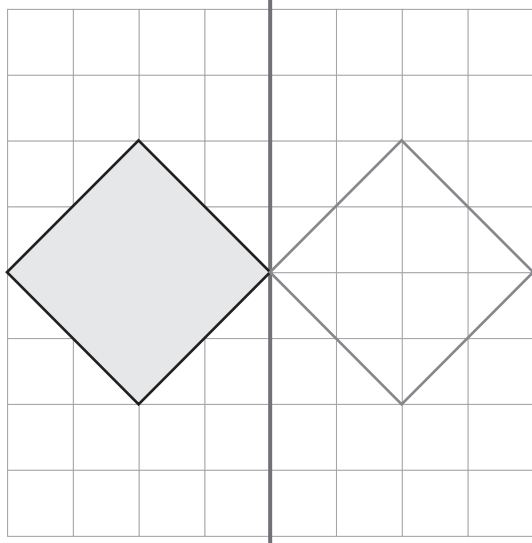
Which of the following dotted lines is a line of symmetry?



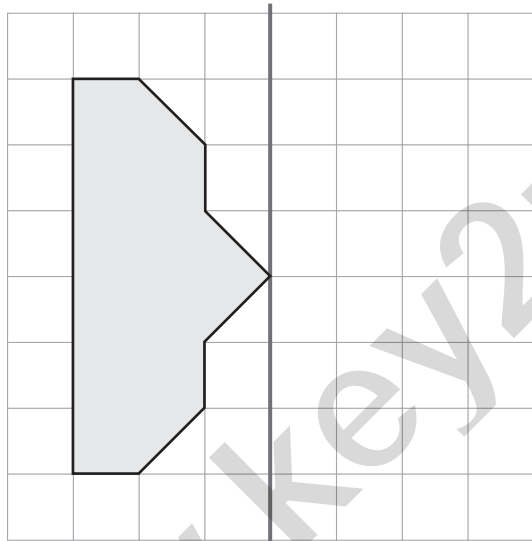
Reflection

Draw the reflection of each shape about the mirror line.

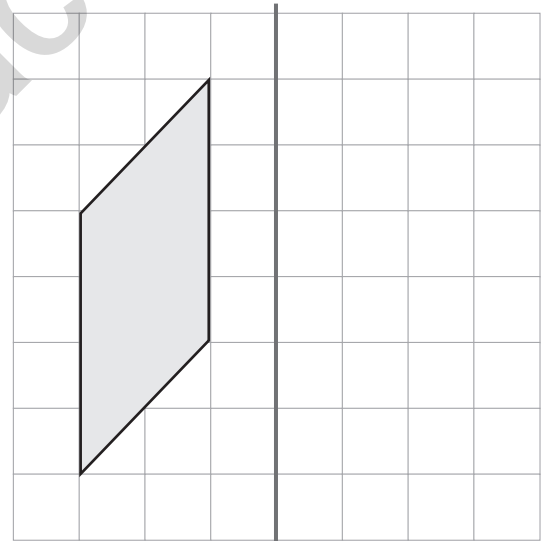
Note:- Mirror line is same as line of symmetry.



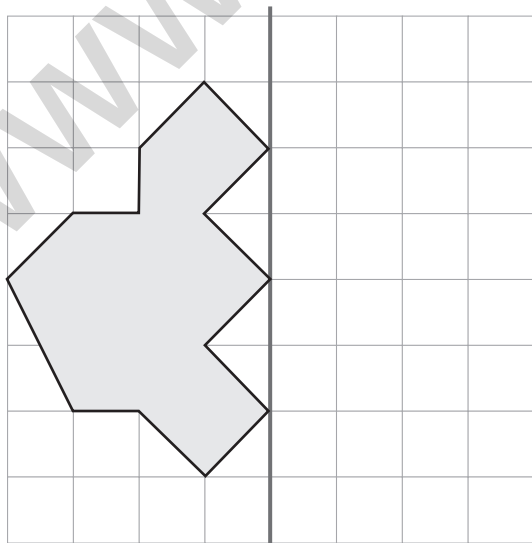
b)



c)



d)



e)

